

Hump Magnetic Separator

Hump Magnetic Separator – Half version

Remove the ferromagnetic impurities from the material which conveyed by wind or free-falling because of gravity. Fit for installing in pipeline to remove the ferromagnetic impurities from flaky, granular and powdery material effectively. Widely used in production line of larger particles materials with high flow or powdery material with good fluidity

Benefits

Easy-cleaning structure to wipe off Fe particles easily and efficiently

Magnetic plate connects with body of magnetic separator by hinges, it can be opened to clean up at any time after stopping working

Wearing parts are protected by wear-resistant material which can be changed after wearing out, it extends the service life and reduces the maintenance cost.

Technical data

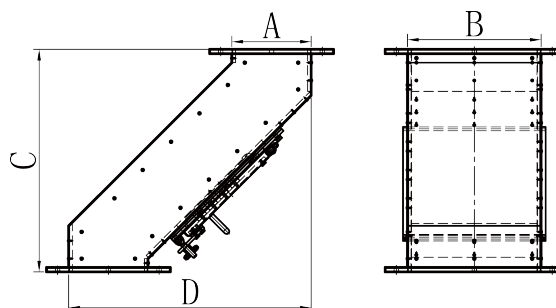
Magnetic performance: 4'000Gs

Materials of housing and other parts: 304 stainless steel/316 stainless steel

Surface finish: Sand blasting/Powder painting



Model No.	Inlet	Outline Dimension
	AXBmm	CXDmm
SCXTI-120	150X120	470X486
SCXTI-150	178X150	470X514
SCXTI-200	178X200	500X544
SCXTI-250	178X250	500X544
SCXTI-300	178X300	500X544
SCXTI-350	200X350	525X591
SCXTI-400	200X400	525X591
SCXTI-450	200X450	525X591
SCXTI-500	200X500	525X591



Beijing OeMag International Co., Ltd

Tel: +86-10-67609550; Fax: +86-10-67609565; E-mail: oeomag@oeomag.com