

Cylinder Magnetic Separator

Cylinder Magnetic Separator – SCXQ Series

Available for flour production, cleaning available during working.
Easy-cleaning structure to wipe off Fe particles easily and efficiently.

Technical data

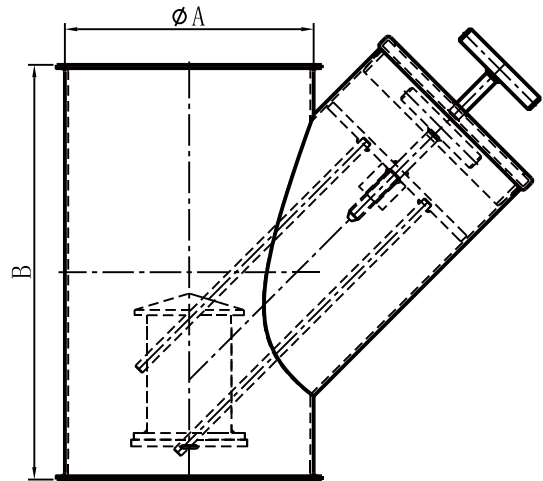
Magnetic performance: 7'000-9'000

Materials of housing and other parts: 304 stainless steel/316 stainless steel

Surface finish: Sand blasting/Powder painting

PATENTED PRODUCT

ZL 2014 2 0229115.3



Model No.	Inlet	Height
	ΦA mm	B mm
SCXQ010- II	100	210
SCXQ012- II	120	210
SCXQ015A-III	150	250



Beijing OeMag International Co., Ltd

Tel: +86-10-67609550; Fax: +86-10-67609565; E-mail: oeomag@oeomag.com

Cylinder Magnetic Separator

Technical data

Magnetic performance: 9'000Gs

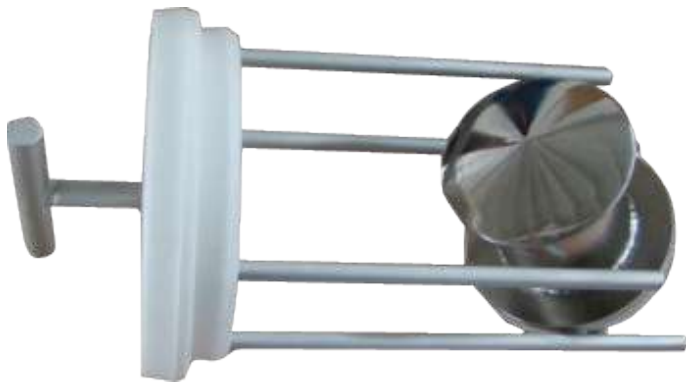
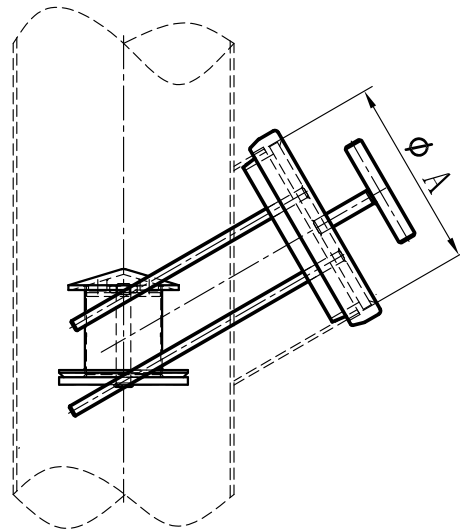
Materials of housing and other parts: 304 stainless steel/316 stainless steel

Surface finish: Polished/Sand blasting/Powder painting

PATENTED PRODUCT

ZL 2014 2 0229115.3

Model No.	Inlet
	Φ A mm
SCXQ010	100
SCXQ012	120
SCXQ015	150



Adsorbing effect



Beijing OeMag International Co., Ltd

Tel: +86-10-67609550; Fax: +86-10-67609565; E-mail: oeMag@oemag.com