

Cylinder Magnetic Separator

Cylinder Magnetic Separator – SCXL Series

Cylinder Magnetic Separator is ideal for the removal of tramp type contamination, for example nuts, bolts, staples etc., from gravity and pneumatically conveyed pipelines. The unit is designed to prevent tramp iron from damaging expensive process machinery. It is available for powdery and flaky material, such as flour and bran.

Easy-cleaning structure to wipe off Fe particles easily and efficiently.

Technical data

Magnetic performance: 8'000-12'000Gs

Materials of housing and other parts: 304 stainless steel/316 stainless steel

Surface finish: Sand blasting/Powder painting

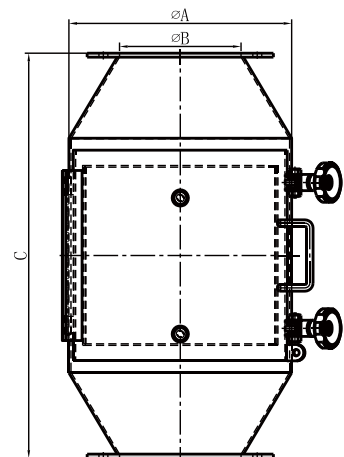
PATENTED PRODUCT: ZL 2011 1 0319437.8



*Old version



Model No.	Capacity (t/h)		Inlet (mm) ΦB	Dimension (mm)	
	Bran r=0.25	Flour r=0.50		ΦA	C
SCXL1016	2	4	100	159	350
SCXL1222	3	6	120	219	450
SCXL1527	7	15	150	273	500
SCXL1530	9	18	150	299	550
SCXL2035	14	29	200	350	600
SCXL2037	16	34	200	375	600
SCXL2240	21	43	220	400	650
SCXL2542	26	54	250	425	720
SCXL2745	32	65	270	450	750
SCXL3050	36	74	300	500	800



Beijing OeMag International Co., Ltd

Tel: +86-10-67609550; Fax: +86-10-67609565; E-mail: oeMag@oeMag.com