

# Square Magnetic Separator

## Square Magnetic Separator – Drawer version

Square magnetic separator's high intensity magnetic Easy Clean housed grids offer unsurpassed levels of contamination removal. These units are so effective they can even remove sub-micron ferrous and para-magnetic contamination from the most demanding and arduous of process environments. The units are available for powdery and flaky material, such as flour, bran, coffee, cocoa powder, milk powder and so on.

The unit comprises of high intensity Easy Clean magnetic grids with the rods of grid having an offset design for maximum efficiency. The grid is secured into the housing by tri-cone locking nuts, which ensure even pressure is generated around the food grade seal.

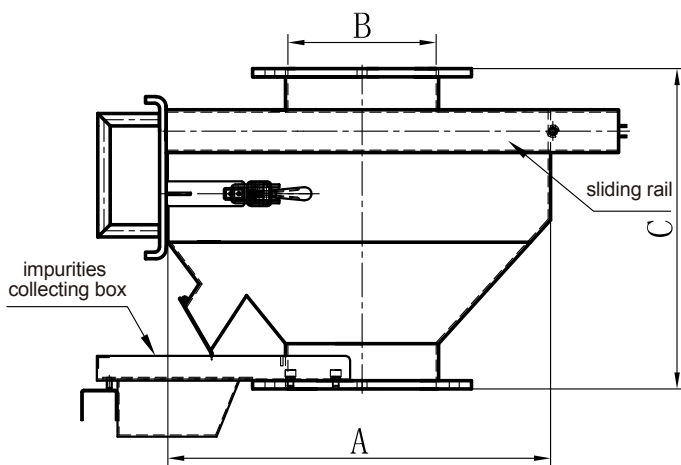
The pneumatic unit comprises of high intensity magnetic cartridge, which is secured into its housing via quick release toggle clamps. It is these toggle clamps that ensure even pressure is generated around the food grade seal.

### Technical data

Magnetic performance: 8'000Gs -12'000Gs

Materials of housing and other parts: 304 stainless steel/316 stainless steel

Surface finish: Sand blasting/Powder painting



Model No.	Capacity(t/h)	Inlet	Dimension	
	Bran/Flour	BXBmm	Amm	Cmm
SCXF-18S	6.0/12.5	180X180	465	400
SCXF-24S	11.5/23	240X240	511	500
SCXF-28S	15.5/31	280X280	555	500
SCXF-30S	17/34	300X300	585	500
SCXF-34S	18.5/37	340X340	615	500
SCXF-37S	21/42	375X375	655	500
SCXF-40S	24/48	400X400	722	700
SCXF-50S	35/70	500X500	822	750
SCXF-60S	54/108	600X600	922	800
SCXF-70S	70/140	700X700	1022	850



Beijing OeMag International Co., Ltd

Tel: +86-10-67609550; Fax: +86-10-67609565; E-mail: [oemag@oemag.com](mailto:oemag@oemag.com)