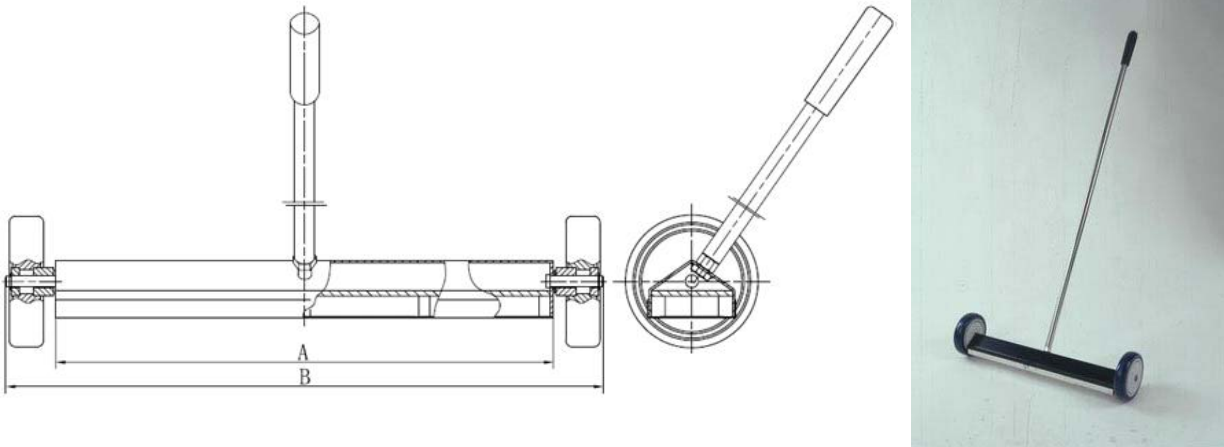


## Magnetic Sweepers

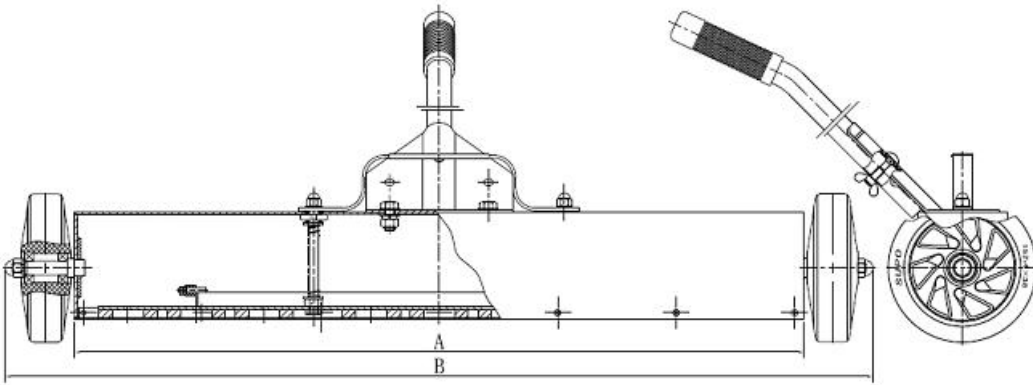
- Quickly and easily clear work areas, sport pitches and car parks of potentially damaging and dangerous metal debris(nails, pins, staples and metal fragments);
- Quick load-release handle clears collected pieces;
- Sturdy structure.

### Push-type Sweepers



<b>Push-type Sweepers</b>			
<b>ITEM No.</b>	<b>Sweeping width</b>	<b>Overall width</b>	<b>Approx. Gross Wt. (kg)</b>
	A (mm)	B (mm)	
OEYG2R1001	465	550	5.3

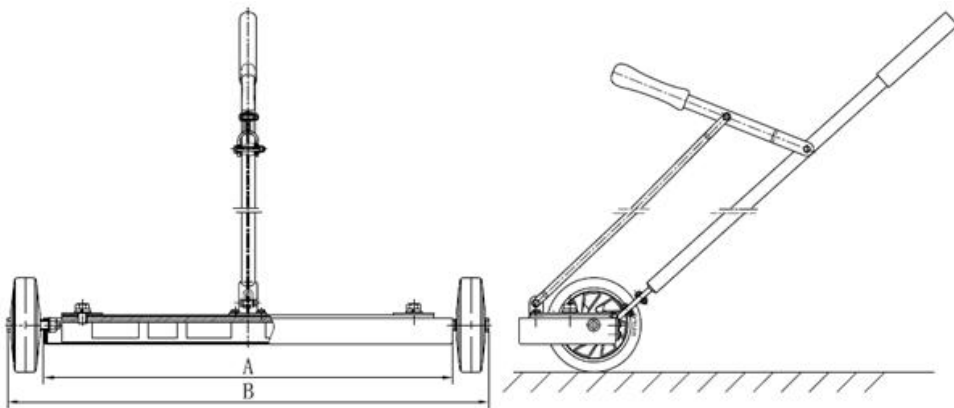
**Self-Cleaning Push Sweepers I**



**Self-Cleaning Push Sweepers I**

ITEM No.	Sweeping Length	Overall Length	Approx. Gross Wt. (kg)
	A (mm)	B (mm)	
OEYG2R0002	750	893	8.4

**Self-Cleaning Push Sweepers II**



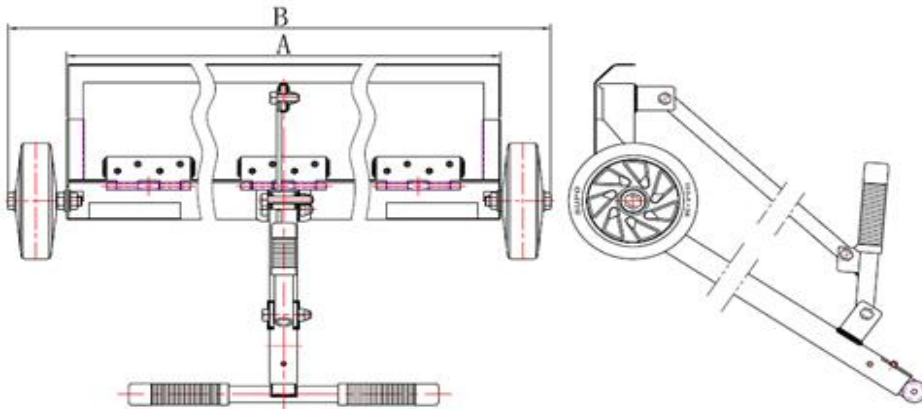
**Self-Cleaning Push Sweepers II**

ITEM No.	Sweeping width	Overall width	Approx. Gross Wt. (kg)
	A (mm)	B (mm)	
OEYG2R0003	660	777	18.5



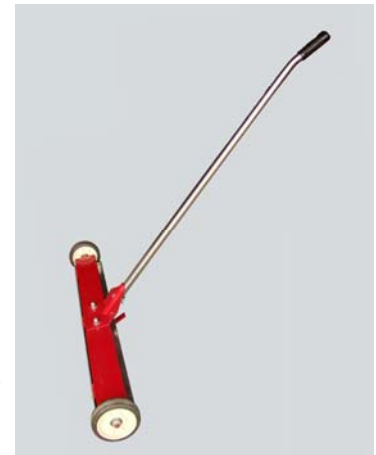
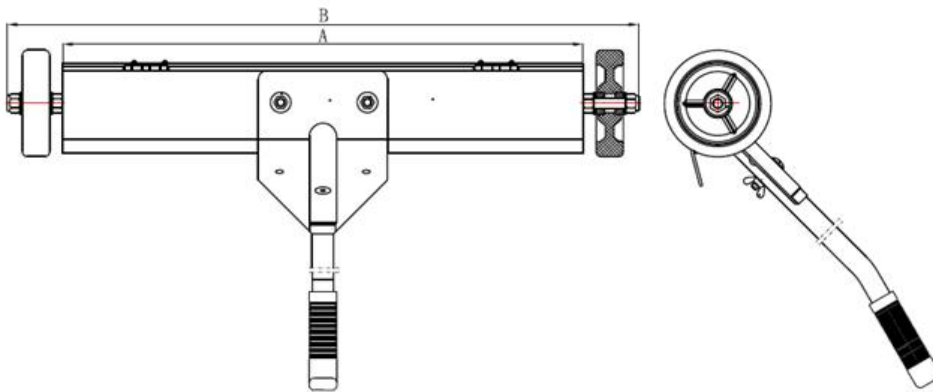
## Hardware Tools

### Self-Cleaning Push Sweepers III



<b>Self-Cleaning Push Sweepers III</b>			
<b>ITEM No.</b>	<b>Sweeping width</b>	<b>Overall width</b>	<b>Approx. Gross Wt. (kg)</b>
	A(mm)	B(mm)	
OEYG2R0004	612	735	18
OEYG2R0006	914	1037	25

### Self-Cleaning Push Sweepers IV



<b>Self-Cleaning Push Sweepers IV</b>			
<b>ITEM No.</b>	<b>Sweeping Length</b>	<b>Overall Length</b>	<b>Approx. Gross Wt. (kg)</b>
	A (mm)	B (mm)	
OEYG2R0005	610	740	11
OEYG2R0008	914	1044	14



**Beijing OeMag International Co., Ltd**

Tel: +86-10-67609550; Fax: +86-10-67609565; E-mail: [oeomag@oeomag.com](mailto:oeomag@oeomag.com)