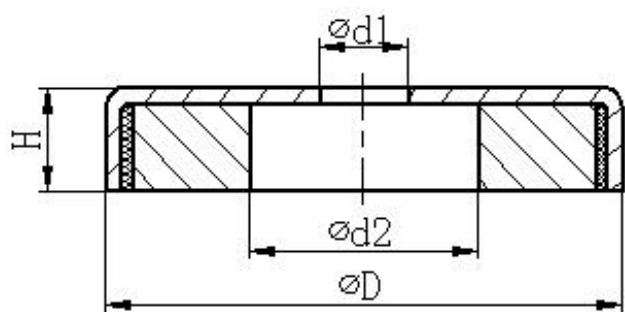


FERRITE POT MAGNET WITH THROUGH HOLE



FERRITE POT MAGNET WITH THROUGH HOLE						
Item No.	Dimensions (mm)				Weight (g)	Magnetic force (N)
	D	H	d1	d2		
OEYA2E0001	50	10	8.5	22	90	180
OEYA2E0002	63	14	6.5	24	195	290
OEYA2E0003	80	18	6.5	11.5	480	540
OEYA2E0004	83	18	10.5	32	450	600
OEYA2E0005	100	22	10.5	34	820	680