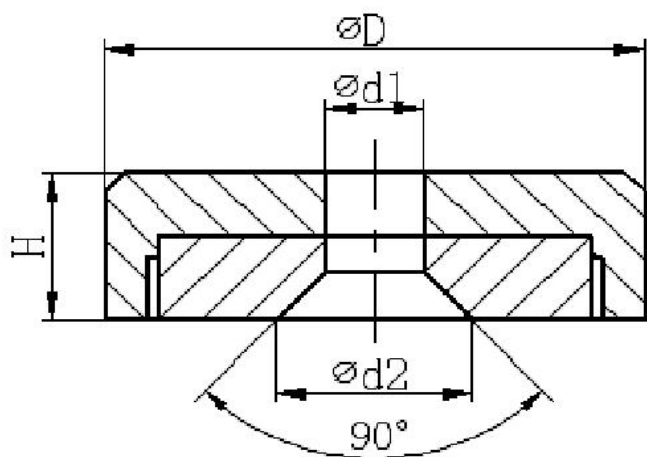


# NEO POT MAGNET WITH COUNTERSUNK HOLE



## NEO POT MAGNET WITH COUNTERSUNK HOLE

Item No.	Dimensions (mm)				Weight (g)	Magnetic force (N)
	D	H	d1	d2		
OEYA5B0001	16	4.5	3.5	6.6	5.7	75
OEYA5B0002	20	6	4.5	9	12.5	105
OEYA5B0003	25	7	4.5	9	23.5	160
OEYA5B0004	32	7	5.5	11	38.5	310
OEYA5B0005	40	8	5.5	10.6	74	500